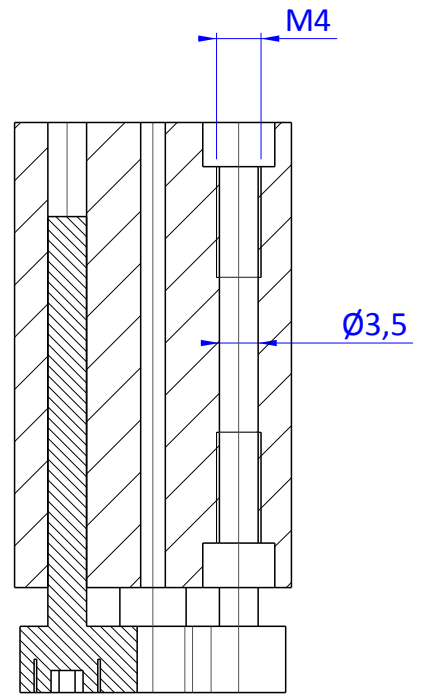
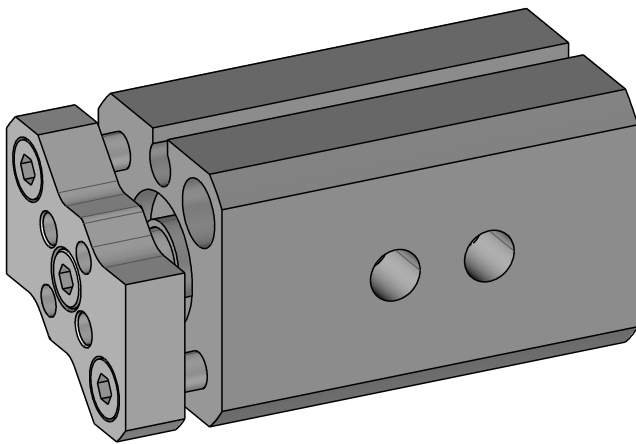
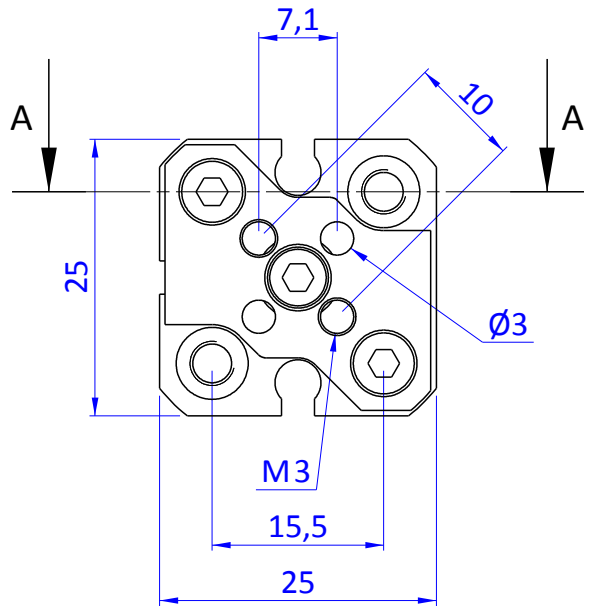
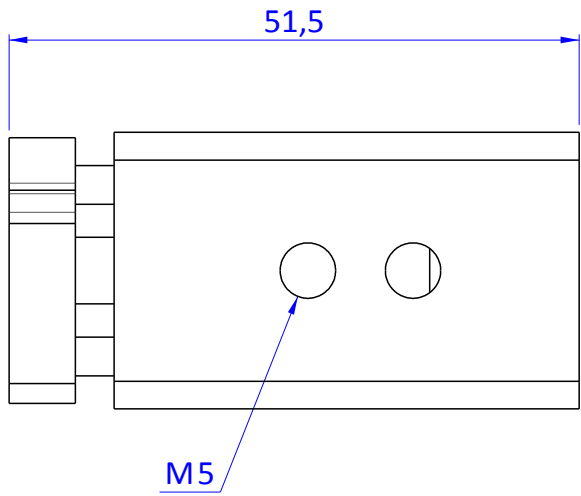


THE PROPERTY OF THE DRAWING IS ESTABLISHED BY LAW. IT IS FORBIDDEN TO PRODUCE OR SHOW IT TO THIRD PART. WITHOUT A WRITTEN AGREEMENT.

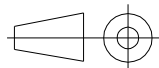


A - A

STROKE = 20 mm

Format A4

UNI 936-76



GENERAL TOLERANCE

UNI - ISO 2768

CLASSE f

DESCRIPTION

CA.11.17.002

DESIGNED FROM

FPS Automation

DATE

05/07/2019

CODE

CA.11.17.002

REVIEW

A

WEIGHT

0.077Kg